

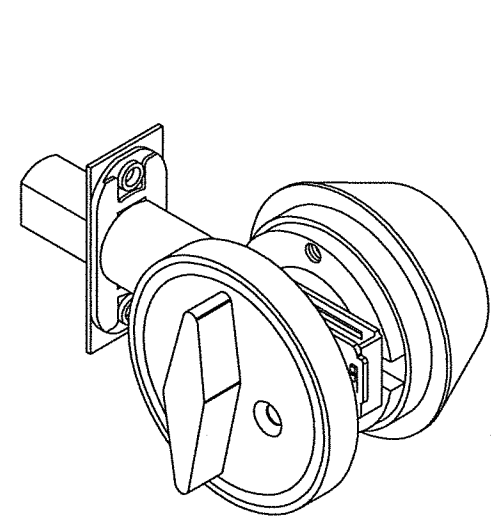
4680 Vinita Court
Chino, CA 91710

"FD7 SERIES" DEADBOLT with an "F SERIES" LEVER or KNOB

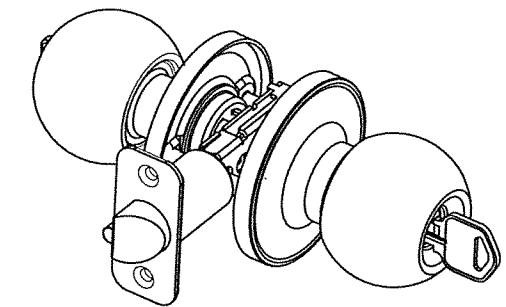
in a
STEEL DOOR
INSWING / OUTSWING
"IMPACT"

GENERAL NOTES

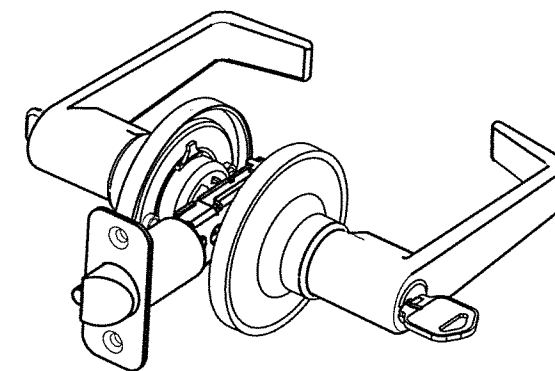
- This product has been evaluated and is in compliance with the 6th Edition (2017) Florida Building Code (FBC) structural requirements excluding the "High Velocity Hurricane Zone" (HVHZ).
- Product anchors shall be as listed and spaced as shown on details. Anchor embedment to base material shall be beyond wall dressing or stucco. Anchors shown are for the door components only. Refer to the current Florida Statewide product approval for the anchoring of the door system to the substrate.
- When used in areas requiring wind borne debris protection this product complies with FBC Sections 1609.1.2 & R301.2.1.2 and does not require an impact resistant covering. This product meets missile level "D" and includes Wind Zone 4 as defined in ASTM E 1996 and FBC Sections 1609.1.2.2 & R301.2.1.2.1.
- This product has been tested in the door panels as specified in this approval. Substitution into a similar product may be approved for use by the local Authority Having Jurisdiction. In all cases, the steel door used must possess a comparable current Florida Statewide product approval w/ installation instructions. The door panel size and design pressure (DP) rating shall not exceed the sizes and DP ratings shown in this approval or the steel side hinged swing door approval being used.
- Site conditions that deviate from the details of this drawing require further engineering analysis by a licensed engineer or registered architect.



"FD7 Series" Deadbolt



"F Series" Knob



"F Series" Lever

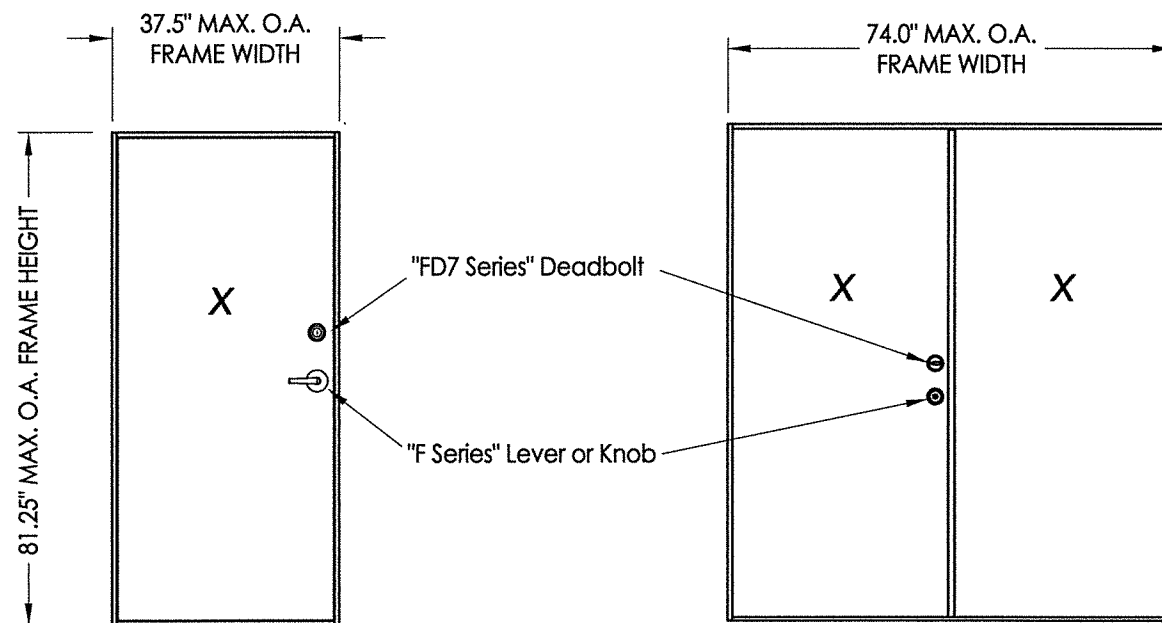
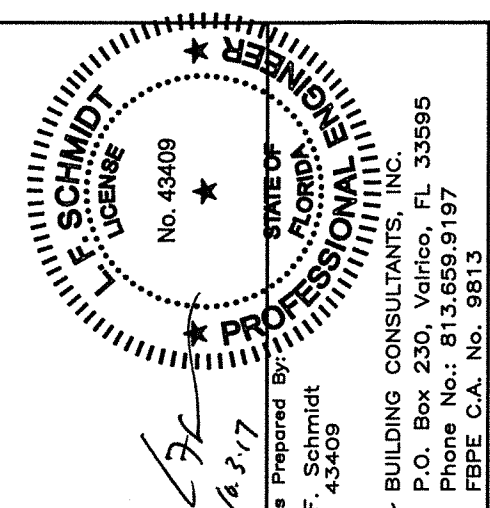


TABLE OF CONTENTS	
SHEET#	DESCRIPTION
1	Typical elevation, design pressures & general notes
2	"FD7 Series" deadbolt & installation details
3	"F Series" knob & lever details
4	Steel door panel details

CONFIGURATION	MAX FRAME DIMENSION	LOCK & DEADBOLT TYPE	DESIGN PRESSURE (PSF) INSWING / OUTSWING	
			POSITIVE	NEGATIVE
SINGLE (opaque)	37.5" x 81.25"	"FD7 Series" Deadbolt with a	+65.0	-70.0
SINGLE (glazed) DOUBLE (opaque / glazed)	74.5" x 81.25"	"F Series" Lever or Knob (PAMEX)	+45.0	-50.0



Documents Prepared By:
Lyndon F. Schmidt
P.E. No. 43409

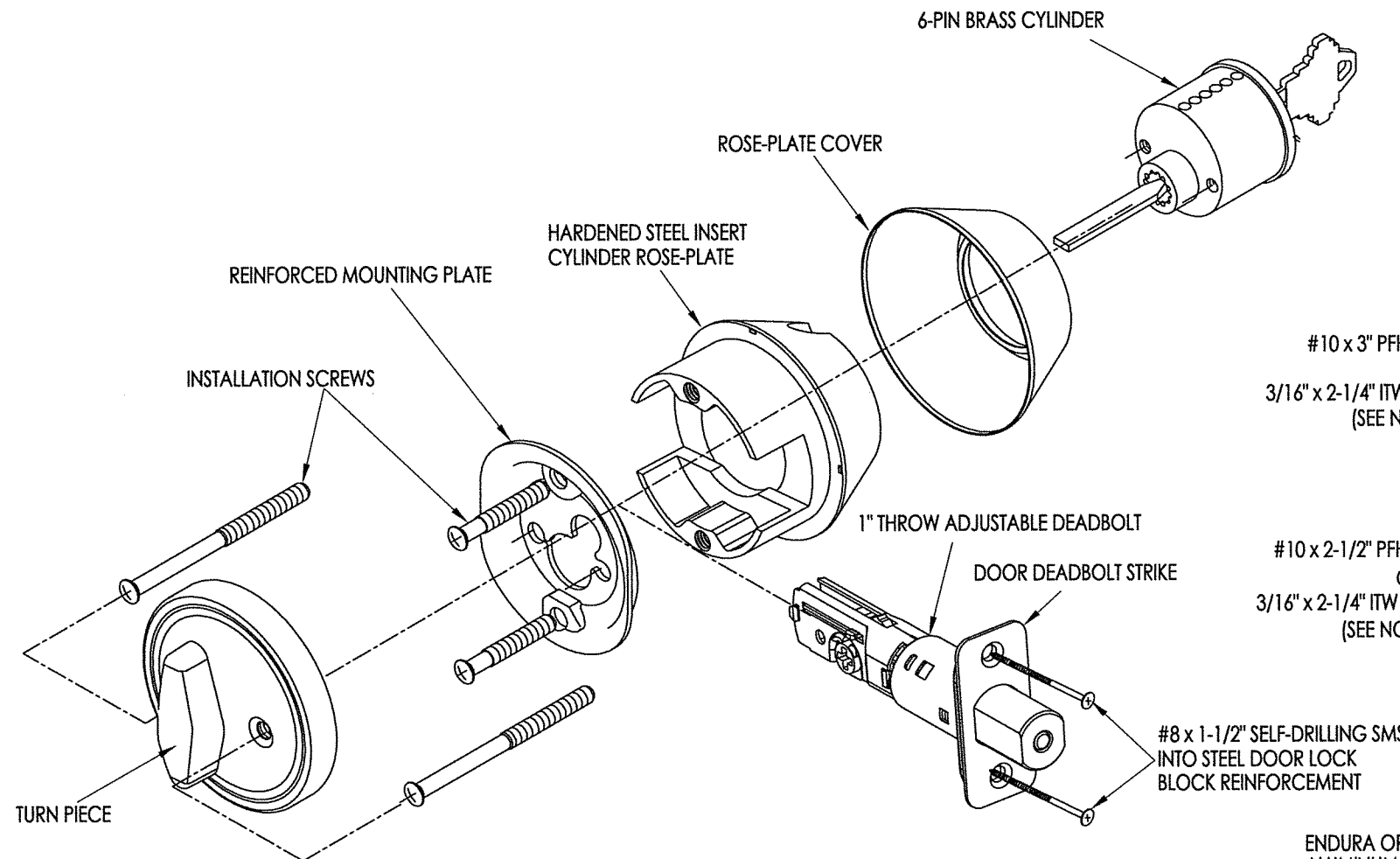
RW BUILDING CONSULTANTS, INC.
P.O. Box 230, Vairico, FL 33595
Phone No.: 813.659.9197
FBPE C.A. No. 9813

PRODUCT: PAMEX LOCK AND DEADBOLT
PART OR ASSEMBLY: TYPICAL ELEVATION, DESIGN PRESSURES & GENERAL NOTES

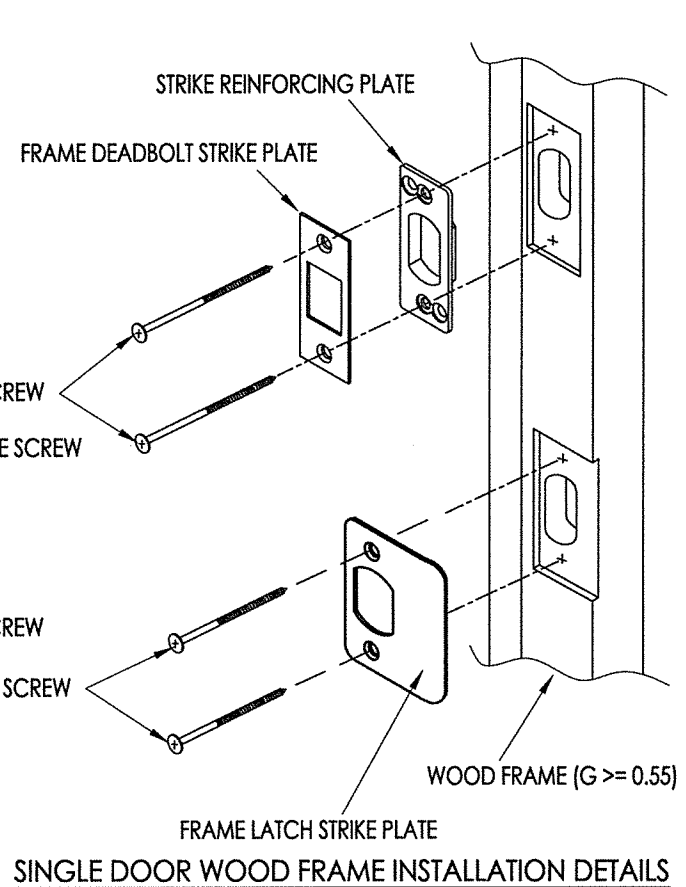
NO.	DATE	REVISIONS
3	10/03/17	UPDATE TO 6TH ED. (2017) FBC
2	3/27/15	UPDATE TO 5TH ED. (2014) FBC
1	4/24/12	UPDATE TO 2010 FBC

DATE: 8/01/11
SCALE: N.T.S.
DWG. BY: JK
CHK. BY: LFS
DRAWING NO.: FL-14722.3
SHEET 1 OF 4

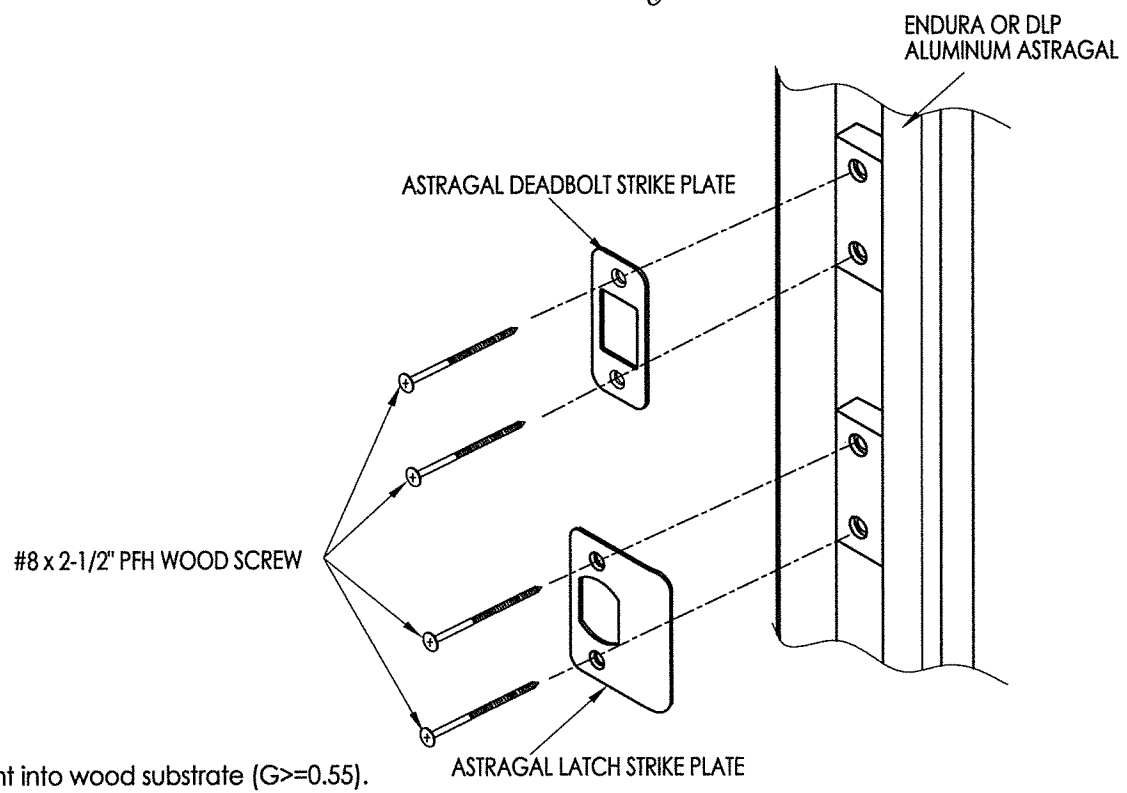
R:\Clients\Pamex PERMANENTVA - Florida Product Approvals\FL-14722 - Ext Doors - Exterior Door Components\C - Drawings\FL 14722 (2017)\FL-14722.dwg, 3-2



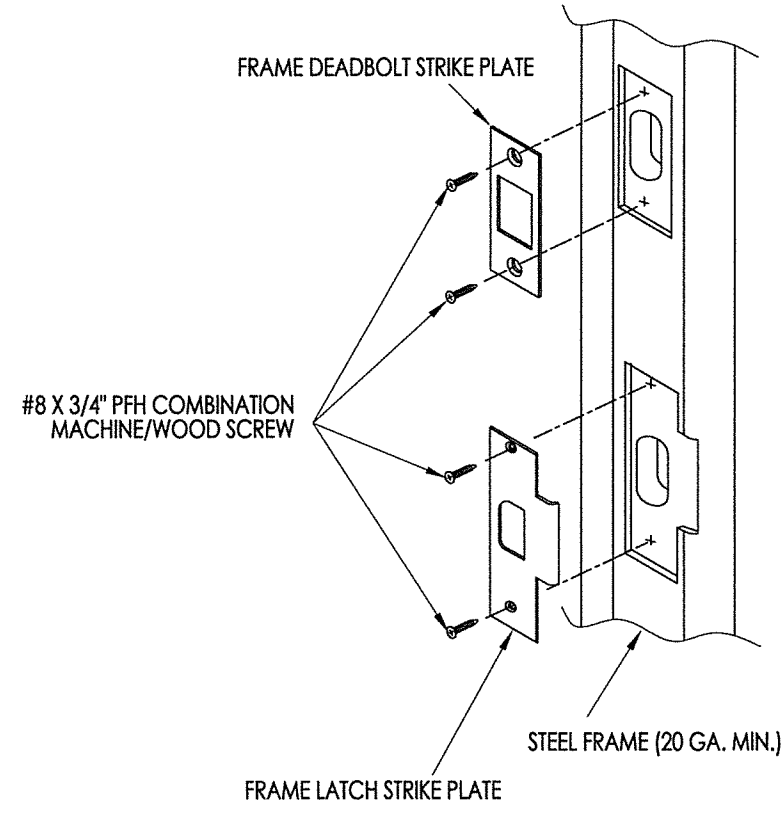
"FD7 SERIES" DEADBOLT DETAILS



SINGLE DOOR WOOD FRAME INSTALLATION DETAILS



DOUBLE DOOR INSTALLATION DETAILS

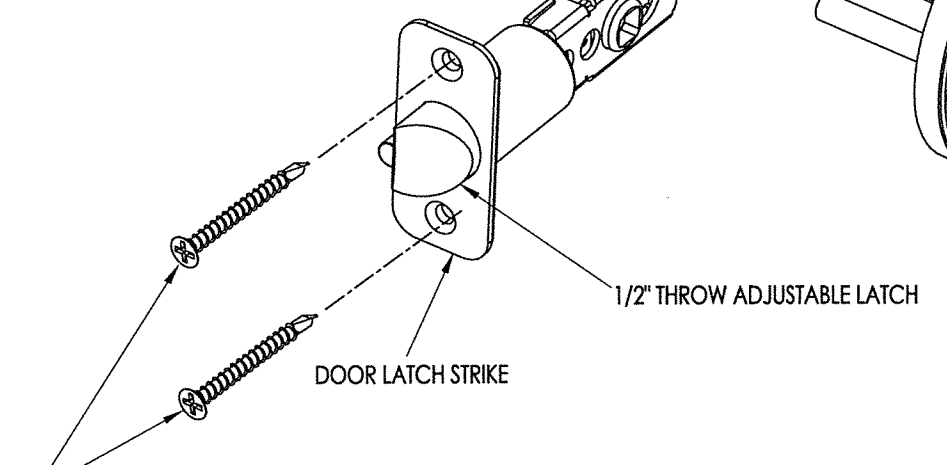
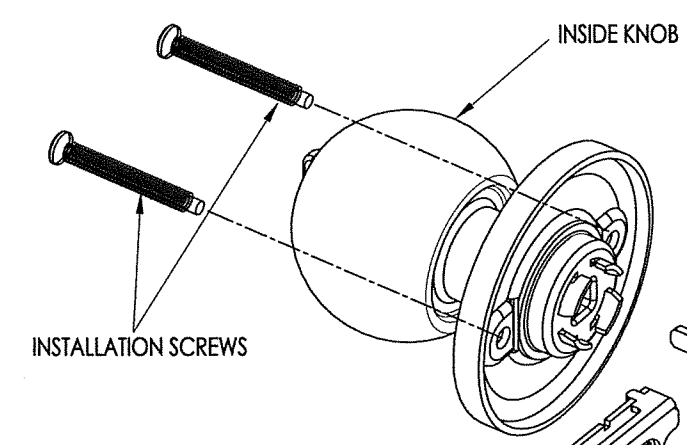


SINGLE DOOR STEEL FRAME INSTALLATION DETAILS

- NOTES :**
1. Wood screw installation requires 1.5" min. embedment into wood substrate (G>=0.55).
 2. Wood screw installation requires 2" min. embedment into wood substrate (G>=0.55).
 3. Concrete screw installation requires 1.25" min. embedment into concrete (conforming to ACI 301, 3000 psi min.) or hollow block (conforming to ASTM C-90) and maintaining a min. 3" edge distance and 1-1/2" min. center-to-center spacing of anchors.

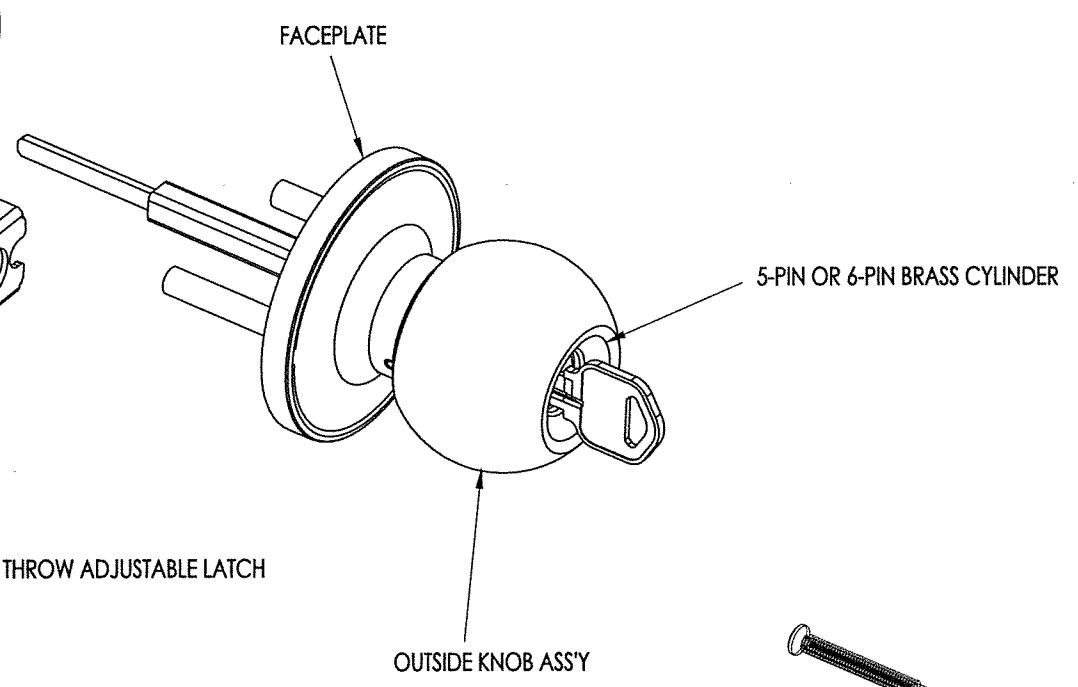
Lyndon F. Schmidt
 P.E. No. 43409
 R.W. BUILDING CONSULTANTS, INC.
 P.O. Box 230, Vairico, FL 33595
 Phone No.: 813.659.9197
 FBPE C.A. No. 9813

PRODUCT:		PAMEX	
		LOCK AND DEADBOLT	
PART OR ASSEMBLY:		"FD7 SERIES" DEADBOLT & INSTALLATION DETAILS	
NO.	DATE	BY	REVISIONS
3	10/03/17	LFS	UPDATE TO 6TH ED. (2017) FBC
2	3/18/15	JK	UPDATE TO 5TH ED. (2014) FBC
1	4/24/12	JK	UPDATE TO 2010 FBC
DATE			
DATE:	8/01/11		
SCALE:	N.T.S.		
DWG. BY:	JK		
CHK. BY:	LFS		
DRAWING NO.:	FL-14722.3		
SHEET	2	OF	4



#8 x 1-1/2" SELF-DRILLING SMS INTO STEEL DOOR LOCK BLOCK REINFORCEMENT

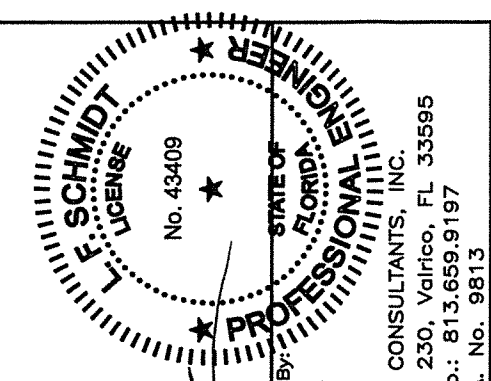
"F SERIES" KNOB DETAILS



INSTALLATION SCREWS

#8 x 1-1/2" SELF-DRILLING SMS INTO STEEL DOOR LOCK BLOCK REINFORCEMENT

"F SERIES" LEVER DETAILS



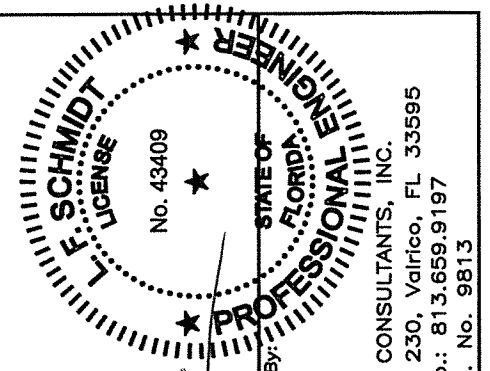
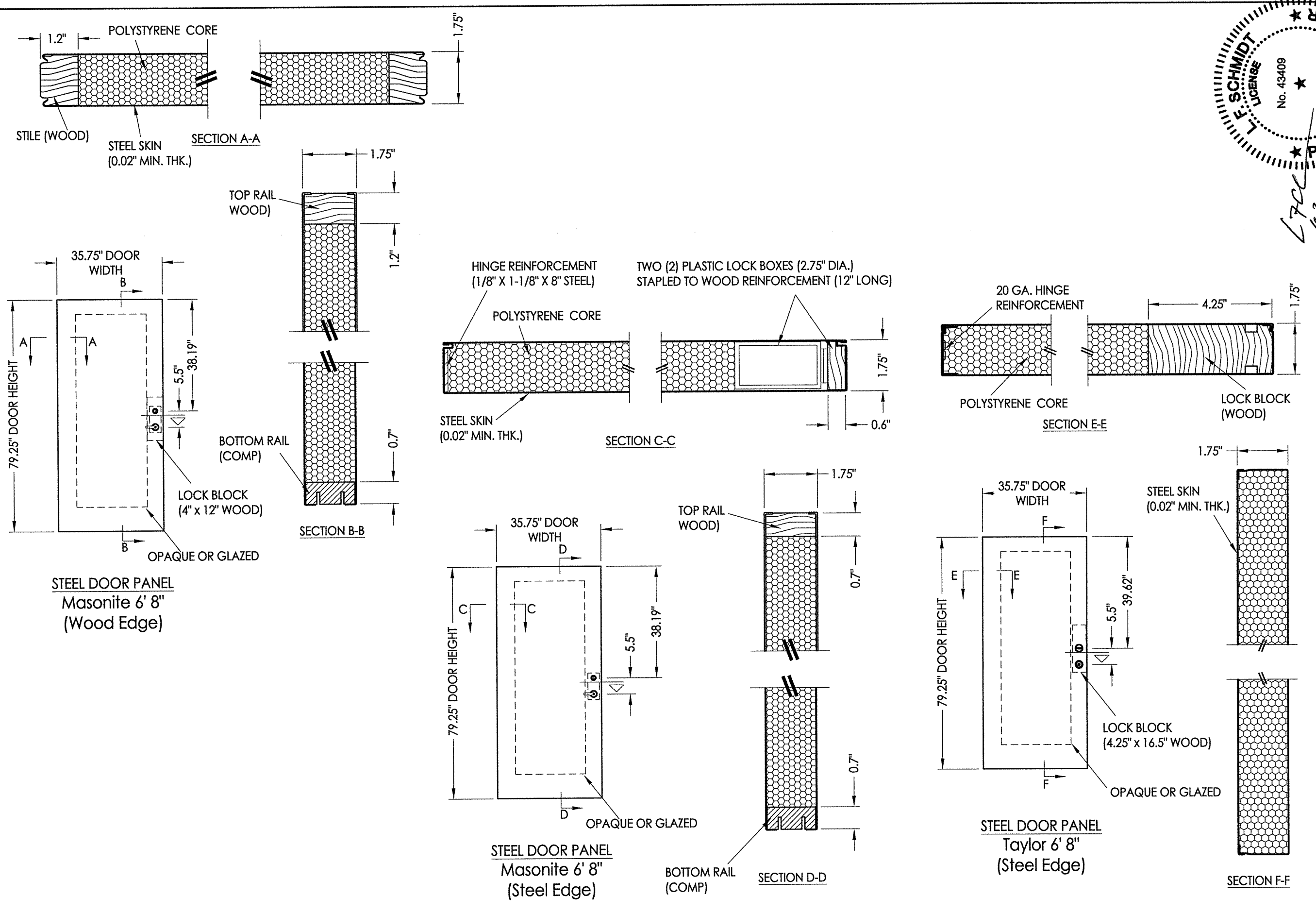
Documents Prepared By:
Lyndon F. Schmidt
P.E. No. 43409

RW BUILDING CONSULTANTS, INC.
P.O. Box 230, Valrico, FL 33595
Phone No.: 813.659.9197
FBPE C.A. No. 9813

PRODUCT:	PAMEX LOCK AND DEADBOLT
PART OR ASSEMBLY:	"F SERIES" KNOB & LEVER DETAILS

NO.	DATE	BY	REVISIONS
3	10/03/17	LFS	UPDATE TO 6TH ED. (2017) FBC
2	3/18/15	JK	UPDATE TO 5TH ED. (2014) FBC
1	4/24/12	JK	UPDATE TO 2010 FBC

DATE:	8/01/11
SCALE:	N.T.S.
DWG. BY:	JK
CHK. BY:	LFS
DRAWING NO.:	FL-14722.3
SHEET	3 OF 4



Documents Prepared By:
 Lyndon F. Schmidt
 P.E. No. 43409

LFS
 10.2.17

RW
 BUILDING CONSULTANTS, INC.
 P.O. Box 230, Valrico, FL 33595
 Phone No.: 813.659.9197
 FBPE C.A. No. 9813

PRODUCT:		PAMEX LOCK AND DEADBOLT	
PART OR ASSEMBLY:		STEEL DOOR PANEL DETAILS	
NO.	DATE	BY	REVISIONS
3	10/03/17	LFS	UPDATE TO 6TH ED. (2017) FBC
2	3/27/15	JK	UPDATE TO 5TH ED. (2014) FBC
1	4/24/12	JK	UPDATE TO 2010 FBC
DATE: 8/01/11			
SCALE: N.T.S.			
DWG. BY: JK			
CHK. BY: LFS			
DRAWING NO.: FL-14722.3			
SHEET 4 OF 4			